

20020450660

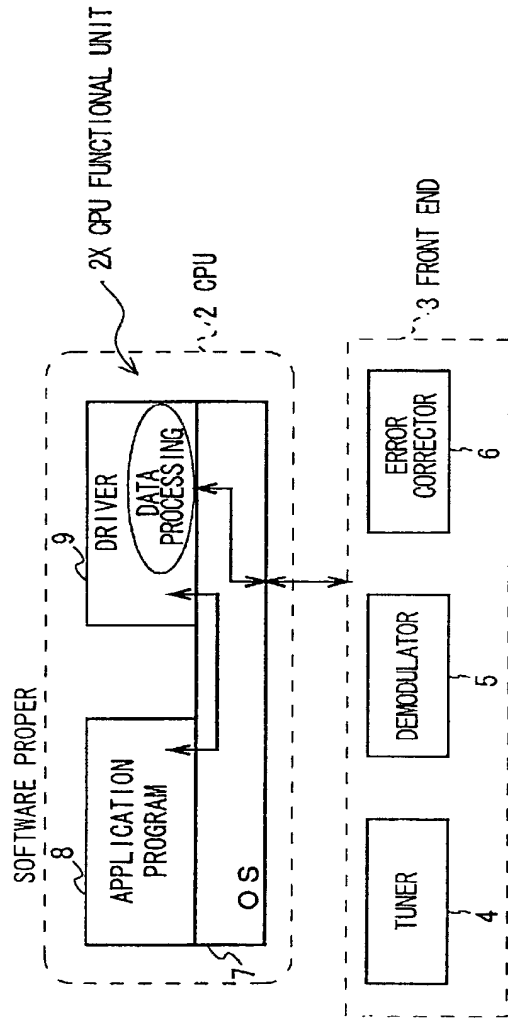


FIG. 1

0980517 02800

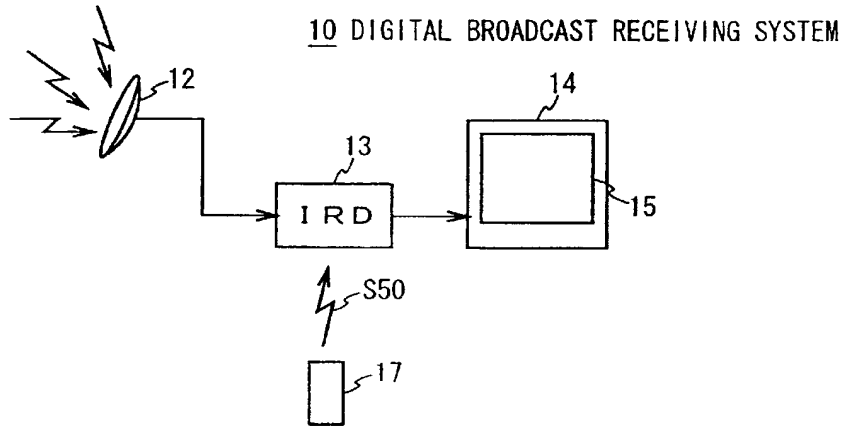


FIG. 2

2002004750866

09/980517

13 IRD

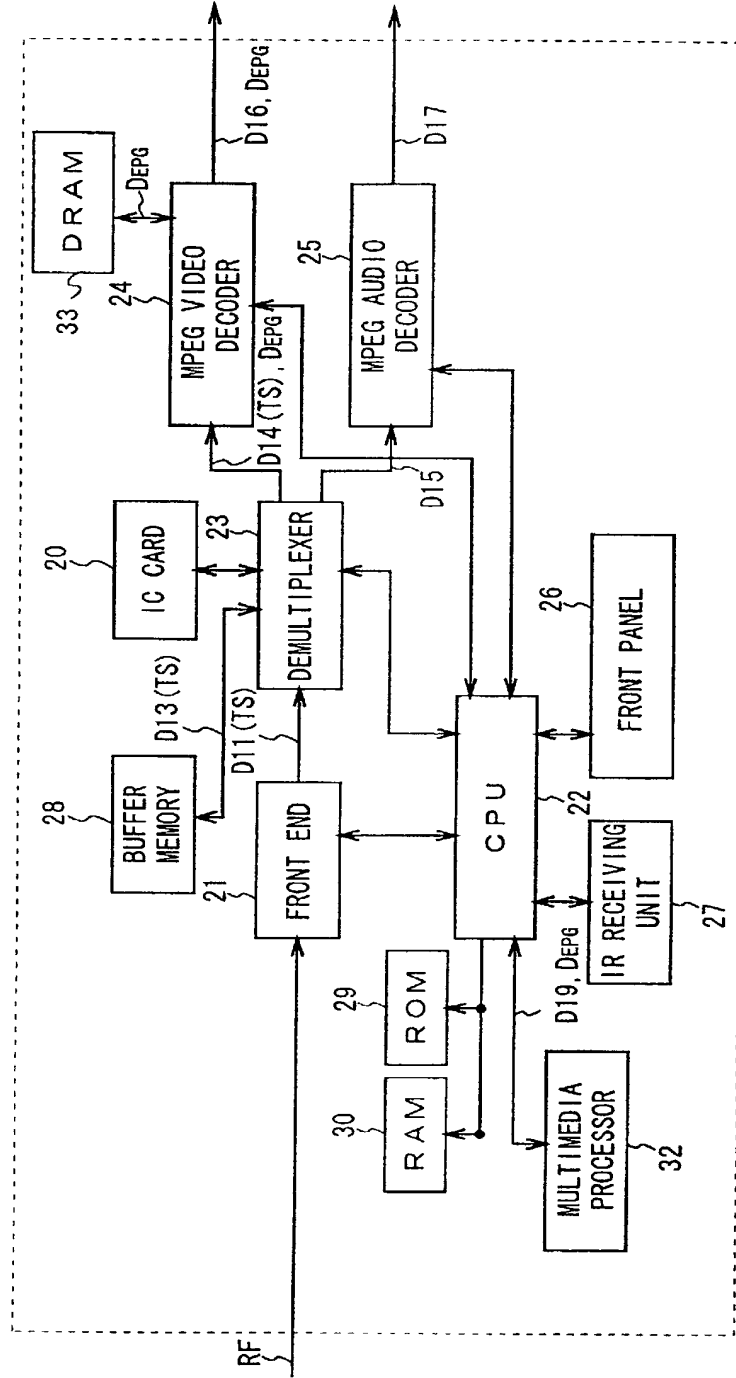
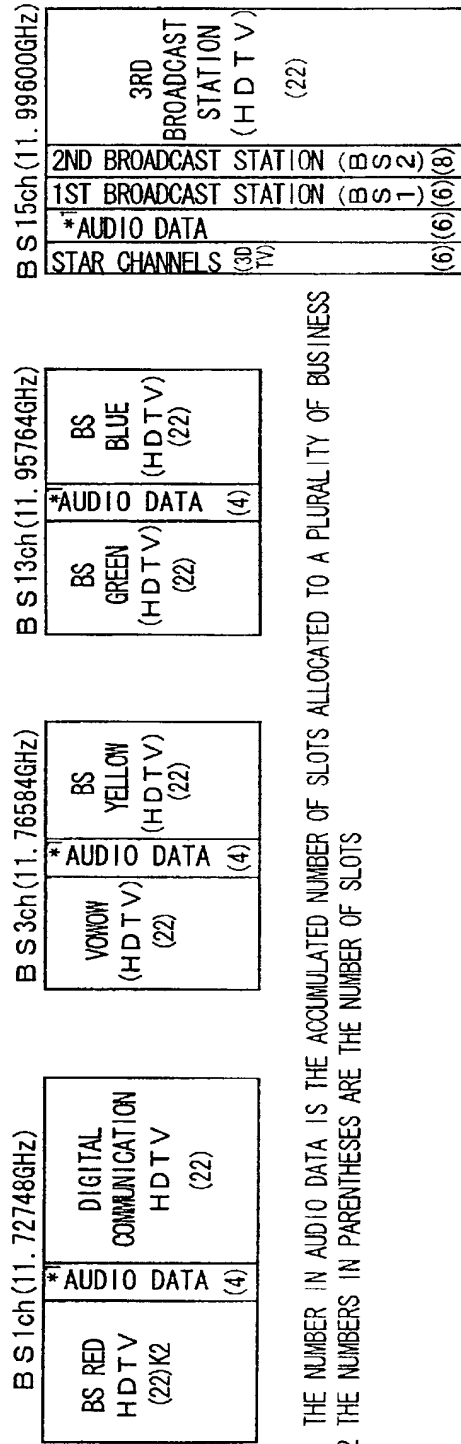


FIG. 3

20820" 47508660

BS4 LATER VERSION (BS DIGITAL BROADCAST)



*1 THE NUMBER IN AUDIO DATA IS THE ACCUMULATED NUMBER OF SLOTS ALLOCATED TO A PLURALITY OF BUSINESS
 *2 THE NUMBERS IN PARENTHESES ARE THE NUMBER OF SLOTS

FIG. 4

00000017

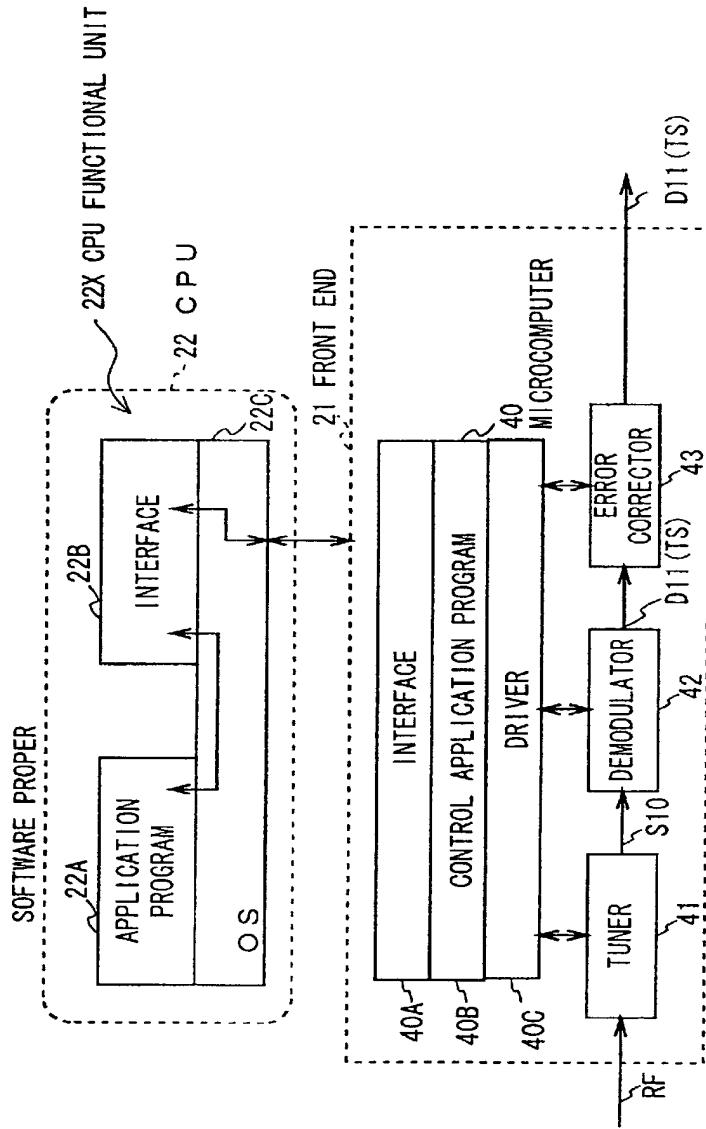


FIG. 5

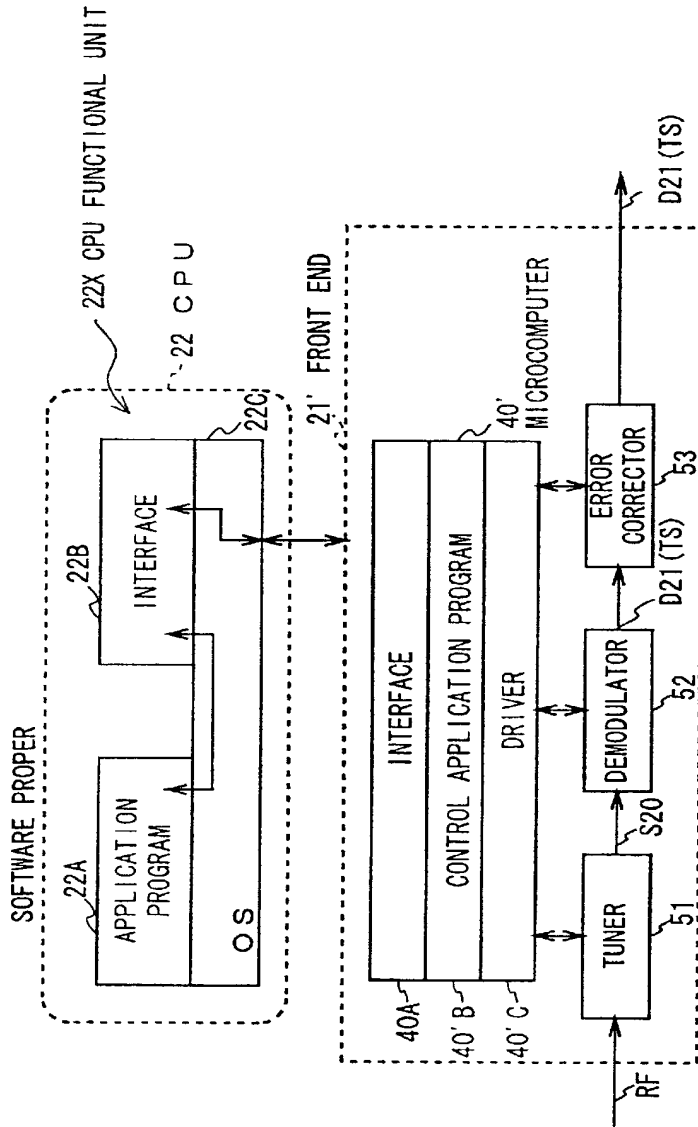


FIG. 7

Ch No	Center freq	Freq range	image fp	audio fs	fosc	Image freq.	Ch No.	Center freq.	Freq range	image fp	audio fs	fosc.	Image freq.
1	93	90~96	91.25	95.75	150	208.75	S11	285	282~288	283.25	287.75	342	400.75
2	99	96~102	27.25	101.75	156	214.75	S12	291	288~294	289.25	293.75	348	406.75
3	105	102~108	103.25	107.75	162	220.75	S13	297	294~300	295.25	299.75	354	412.75
M1	111	108~114	109.25	113.75	168	226.75	S14	303	300~306	301.25	305.75	360	418.75
M2	117	114~120	115.25	119.75	174	232.75	S15	309	306~312	307.25	311.75	366	424.75
M3	123	120~126	121.25	125.75	180	238.75	S16	315	312~318	313.25	317.75	372	430.75
M4	129	126~132	127.25	131.75	186	244.75	S17	321	318~324	319.25	323.75	378	436.75
M5	135	132~138	133.25	137.75	192	250.75	S18	327	324~330	325.25	329.75	384	442.75
M6	141	138~144	139.25	143.75	198	256.75	S19	333	330~336	331.25	335.75	390	448.75
M7	147	144~150	145.25	149.75	204	262.75	S20	339	336~342	337.25	341.75	396	454.75
M8	153	150~156	151.25	155.75	210	268.75	S21	345	342~348	343.25	347.75	402	460.75
M9	159	156~162	157.25	161.75	216	274.75	S22	351	348~354	349.25	353.75	408	466.75
M10	167	164~170	165.25	169.75	224	282.75	S23	357	354~360	355.25	359.75	414	472.75
4	173	170~176	171.25	175.75	230	288.75	S24	363	360~366	361.25	365.75	420	478.75
5	179	176~182	177.25	181.75	236	294.75	S25	369	366~372	367.25	371.75	426	484.75
6	185	182~188	183.25	187.75	242	300.75	S26	375	372~378	373.25	377.75	432	490.75
7	191	188~194	189.25	193.75	248	306.75	S27	381	378~384	379.25	383.75	438	496.75
8	195	192~198	193.25	197.75	252	310.75	S28	387	384~390	385.25	389.75	444	502.75
9	201	198~204	199.25	203.75	258	316.75	S29	393	390~396	391.25	395.75	450	508.75
10	207	204~210	205.25	209.75	264	322.75	S30	399	396~402	397.25	401.75	456	514.75
11	213	210~216	211.25	215.75	270	328.75	S31	405	402~408	403.25	407.75	462	520.75
12	219	216~222	217.25	221.75	276	334.75	S32	411	408~414	409.25	413.75	468	526.75
S1	225	222~228	223.25	227.75	282	340.75	S33	417	414~420	415.25	419.75	474	532.75
S2	233	230~236	231.25	235.75	290	348.75	S34	423	420~426	421.25	425.75	480	538.75
S3	239	236~242	237.25	241.75	296	354.75	S35	429	426~432	427.25	431.75	486	544.75
S4	245	242~248	243.25	247.75	302	360.75	S36	435	432~438	433.25	437.75	492	550.75
S5	251	248~254	249.25	253.75	308	366.75	S37	441	438~444	439.25	443.75	498	556.75
S6	255	252~258	253.25	257.75	312	370.75	S38	447	444~450	445.25	449.75	504	562.75
S7	261	258~264	259.25	263.75	318	376.75	S39	453	450~456	451.25	455.75	510	568.75
S8	267	264~270	265.25	269.75	324	382.75	S40	459	456~462	457.25	461.75	516	574.75
S9	273	270~276	271.25	275.75	330	388.75	S41	465	462~468	463.25	467.75	522	580.75
S10	279	276~282	277.25	281.75	336	394.75							

FIG. 8

POLARIZED WAVE	CHANNEL INDICATION		RECEIVING FREQUENCY OF TUNER			
	COMMUNICATION CHANNEL INDICATION	BROADCAST CHANNEL INDICATION	DL FREQUENCY	11.2GHz	11.3GHz	10.678GHz
V	K1	JD17	12.268GHz	1068MHz	968MHz	1590MHz
H	K2	JD18	12.288GHz	1088MHz	988MHz	1610MHz
V	K3	JD19	12.308GHz	1108MHz	1008MHz	1630MHz
H	K4	JD20	12.328GHz	1128MHz	1028MHz	1650MHz
V	K5	JD21	12.348GHz	1148MHz	1048MHz	1670MHz
H	K6	JD22	12.368GHz	1168MHz	1068MHz	1690MHz
V	K7	JD23	12.388GHz	1188MHz	1088MHz	1710MHz
H	K8	JD24	12.408GHz	1208MHz	1108MHz	1730MHz
V	K9	JD25	12.428GHz	1228MHz	1128MHz	1750MHz
H	K10	JD26	12.448GHz	1248MHz	1148MHz	1770MHz
V	K11	JD27	12.468GHz	1268MHz	1168MHz	1790MHz
H	K12	JD28	12.488GHz	1288MHz	1188MHz	1810MHz
V	K13	JD1	12.508GHz	1308MHz	1208MHz	1830MHz
H	K14	JD2	12.523GHz	1323MHz	1223MHz	1845MHz
V	K15	JD3	12.538GHz	1338MHz	1238MHz	1860MHz
H	K16	JD4	12.553GHz	1353MHz	1253MHz	1875MHz
V	K17	JD5	12.568GHz	1368MHz	1268MHz	1890MHz
H	K18	JD6	12.583GHz	1383MHz	1283MHz	1905MHz
V	K19	JD7	12.598GHz	1398MHz	1298MHz	1920MHz
H	K20	JD8	12.613GHz	1413MHz	1313MHz	1935MHz
V	K21	JD9	12.628GHz	1428MHz	1328MHz	1950MHz
H	K22	JD10	12.643GHz	1443MHz	1343MHz	1965MHz
V	K23	JD11	12.658GHz	1458MHz	1358MHz	1980MHz
H	K24	JD12	12.673GHz	1473MHz	1373MHz	1995MHz
V	K25	JD13	12.688GHz	1488MHz	1388MHz	2010MHz
H	K26	JD14	12.703GHz	1503MHz	1403MHz	2025MHz
V	K27	JD15	12.718GHz	1518MHz	1418MHz	2040MHz
H	K28	JD16	12.733GHz	1533MHz	1433MHz	2055MHz

FIG. 9

Ch No.	Center freq.	Freq. range	image fp	audio fs	fosc.	Image freq.	Ch No.	Center freq.	Freq. range	image fp	audio fs	fosc.	Image freq.
1	93	90~96	91.25	95.75	150	208.75	32	587	584~590	585.25	589.75	644	702.25
2	99	96~102	27.25	101.75	156	214.75	33	593	590~596	591.25	595.75	650	708.75
3	105	102~108	103.25	107.75	162	220.75	34	599	596~602	597.25	601.75	656	714.75
4	173	170~176	171.25	175.75	230	288.75	35	605	602~608	603.25	607.75	662	720.75
5	179	176~182	177.25	181.75	236	294.75	36	611	608~614	609.25	613.75	668	726.75
6	185	182~188	183.25	187.75	242	300.75	37	623	614~620	615.25	619.75	674	732.75
7	191	188~194	189.25	193.75	248	306.75	38	627	620~626	621.25	625.75	680	738.75
8	195	192~198	193.25	197.75	252	310.75	39	629	626~632	627.25	631.75	686	744.75
9	201	198~204	199.25	203.75	258	316.75	40	635	632~638	633.25	637.75	692	750.75
10	207	204~210	205.25	209.75	264	322.75	41	641	638~644	639.25	643.75	698	756.75
11	213	210~216	211.25	215.75	270	328.75	42	647	644~650	645.25	649.75	704	762.75
12	219	216~222	217.25	221.75	276	334.75	43	653	650~656	651.25	655.75	710	768.75
13	473	470~476	471.25	475.75	530	588.75	44	659	656~662	657.25	661.75	716	774.75
14	479	476~482	477.25	481.75	536	594.75	45	665	662~668	663.25	667.75	722	780.75
15	485	482~488	483.25	487.75	542	600.75	46	671	668~674	669.25	673.75	728	786.75
16	491	488~494	489.25	493.75	548	606.75	47	677	674~680	675.25	679.75	734	792.75
17	497	494~500	495.25	499.75	554	612.75	48	683	680~686	681.25	685.75	740	798.75
18	503	500~506	501.25	505.75	560	618.75	49	689	686~692	687.25	691.75	746	804.75
19	509	506~512	507.25	511.75	566	624.75	50	695	692~698	693.25	697.75	752	810.75
20	515	512~518	513.25	517.75	572	630.75	51	701	698~704	699.25	703.75	758	816.75
21	521	518~524	519.25	523.75	578	636.75	52	707	704~710	705.25	709.75	764	822.75
22	527	524~530	525.25	529.75	584	642.75	53	713	710~716	711.25	715.75	770	828.75
23	533	530~536	531.25	535.75	590	648.75	54	719	716~722	717.25	721.75	776	834.75
24	539	536~542	537.25	541.75	596	654.75	55	725	722~728	723.25	727.75	782	840.75
25	545	542~548	543.25	547.75	602	660.75	56	731	728~734	729.25	733.75	788	846.75
26	551	548~554	549.25	553.75	608	666.75	57	737	734~740	735.25	739.75	794	852.75
27	557	554~560	555.25	559.75	614	672.75	58	743	740~746	741.25	745.75	800	858.75
28	563	560~566	561.25	565.75	620	678.75	59	749	746~752	747.25	751.75	806	864.75
29	569	566~572	567.25	571.75	626	684.75	60	755	752~758	753.25	757.75	812	870.75
30	575	572~578	573.25	577.75	632	690.75	61	761	758~764	759.25	763.75	818	876.75
31	581	578~584	579.25	583.75	638	696.75	62	767	764~770	765.25	769.75	824	882.75

FIG. 10

208220 4150660

09/980517

	USA	EUROPE	JAPAN
SATELLITE	DSS/DVB	DVB (QPSK)	DVB (QPSK) (TCM-8PSK)
C A T V	SCTE (64/256QAM)	DVB (16/32/64/128/256QAM)	DVB (64QAM)
GROUND WAVE	8VSB	DVB (COFDM)	I SDB-T (OFDM)

FIG. 11

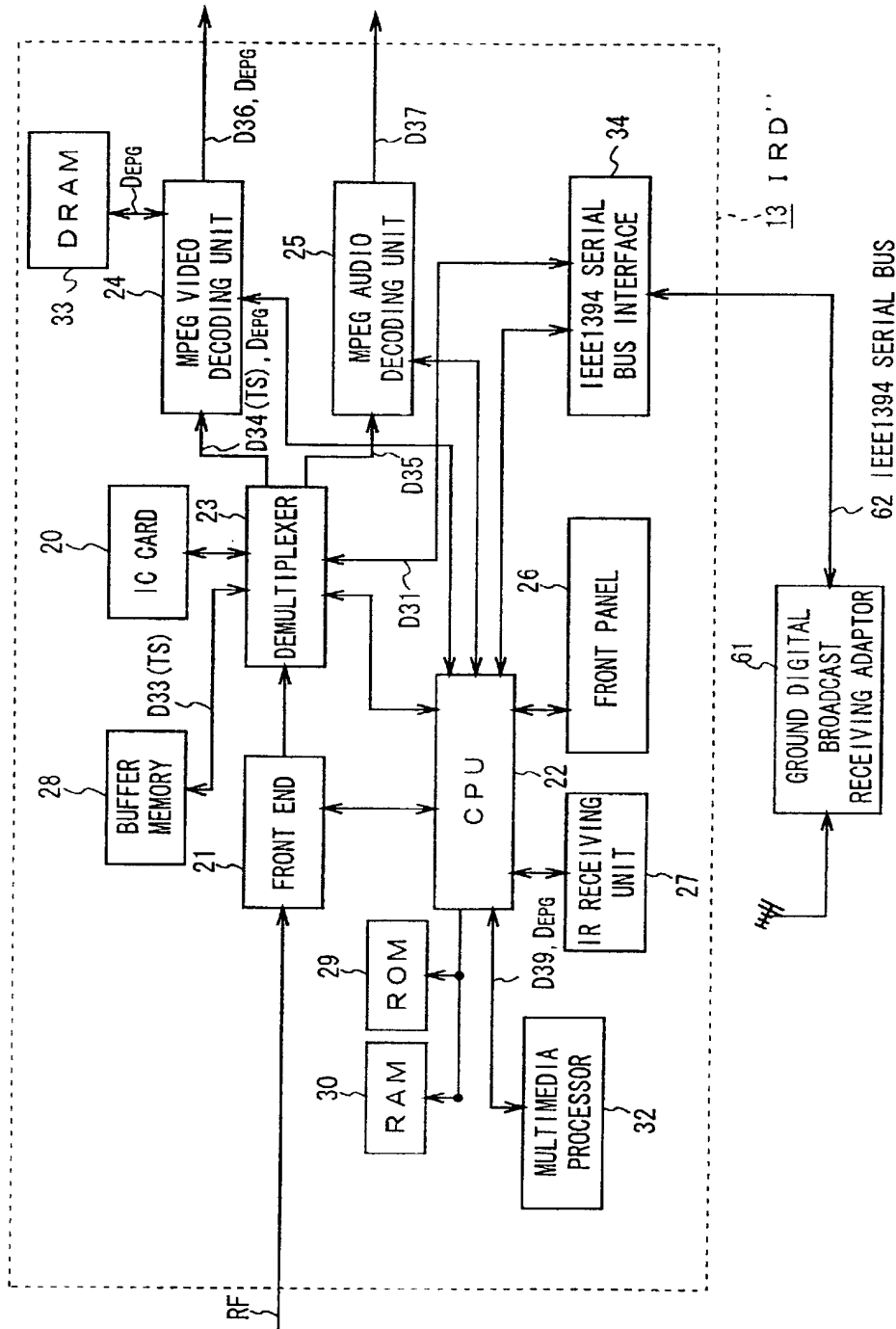


FIG. 13

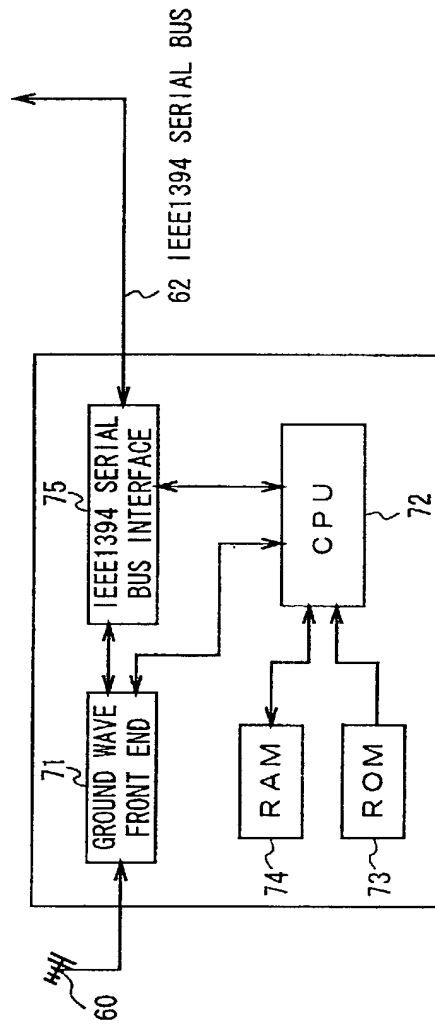


FIG. 14

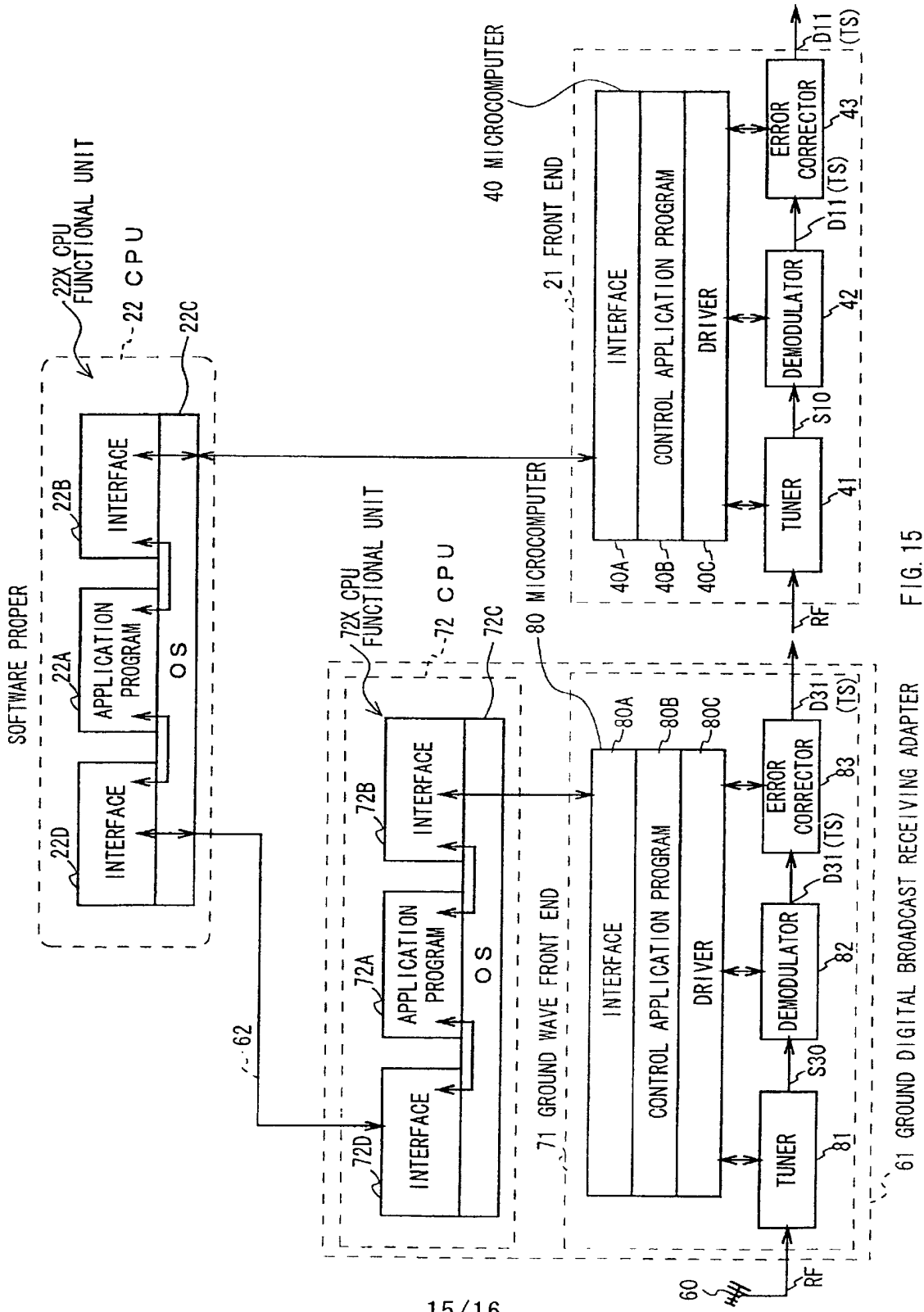


FIG. 15

61 GROUND DIGITAL BROADCAST RECEIVING ADAPTER

09/980517

JC10 Rec'd PCT/PTO 24 OCT 2001

Explanation of Reference Numerals

13, 13', 13" --- IRD, 21 --- front end, 22, 72 --- CPU, 24 -
-- MPEG video demodulator, 25 --- MPEG audio demodulator, 29 ---
ROM, 34, 75 --- IEEE1394 serial bus interface, 40, 40', 80 ---
microcomputer, 41, 51, 81 --- tuner, 42, 52, 82 --- demodulator,
43, 53, 83 --- error corrector, 61 --- ground digital broadcast
receiving adapter, 62 --- IEEE1394 serial bus, 71 --- ground wave
front end, 73 ---ROM, 74 --- RAM

09/980517 0022912